

Technical Bulletin

Model
6 Cyl.

Group
1

Subject

Cleaning of Engine Oil Circuits

Part Identifier
17xx

Number
9602

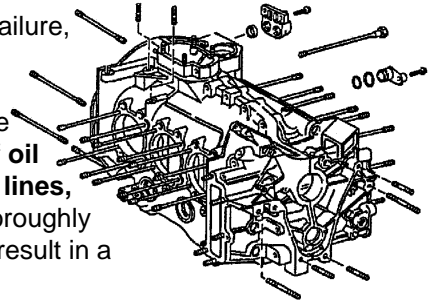
ATTENTION: Service Manager / Service Technician

Models Affected: *911 Carrera and 911 Turbo as of Model Year 1989*

Concern: Cleaning of the engine oil circuit.

General Information:

On engines that have had bearing failure, the complete oil circuit must be cleaned free of residual bearing material before repairs to the engine are made. This includes cleaning of **oil pressure valves, oil reservoir, oil lines, and all oil passages**. Failure to thoroughly clean the complete oil system may result in a repeat failure.



Note: After cleaning the oil reservoir, be certain to reinstall the pressure relief valve on the top of the oil reservoir. If the relief valve is not reinstalled, dirt can enter the oil reservoir and contaminate the entire oil circuit.

Literature:

Information on cleaning the engine oil circuit can be found in the following Porsche workshop manuals.

- 911 workshop manual, volume 1, group 17.
- 911 Carrera, cleaning the engine oil circuit, page 17-5.
- 911 Carrera 2/4, replacement of the oil reservoir, page 17-5.
- 911 Carrera (993), removing and installing pressure valves A and B, page 17-1.
- 911 Carrera (993), cleaning of the crankcase, page 17-3.
- 911 Carrera (993), oil circuit schematic, page 17-7.

Warranty Information:

Resultant engine failure due to oil system contamination from not following these procedures is not a warranty matter.

Important Notice: Porsche Cars N.A Technical Bulletins are intended for use by professional technicians, not a "Do-it-yourselfer." They are written to inform these technicians of conditions that may occur on some vehicles, or to provide information that could assist in the proper service of a vehicle. Special tools may be required to perform certain operations identified in these bulletins. Use of tools and procedures other than those recommended in these bulletins may be detrimental to the safe operation of your vehicle. Properly trained technicians have the equipment, tools, safety instructions and know-how to do a job properly and safely. If a condition is described, do not assume that the bulletin applies to your vehicle, or that your vehicle will have that condition. See your Porsche Dealer for information on whether your vehicle may benefit from the information. Part numbers listed in these bulletins are for reference only. Always check with your authorized Porsche dealer to verify correct part numbers. ©1996 Porsche Cars North America, Inc.

Dealership	Service Manager _____	Shop Foreman _____	Service Technician _____	_____	_____	_____
Distribution	Asst. Manager _____	Warranty Admin. _____	Service Technician _____	_____	_____	_____
Routing						

The trademarks Porsche®, Targa®, Carrera®, Tiptronic®, Varioram® and the Porsche Crest are registered trademarks of Dr. Ing. h.c.F. Porsche AG and its affiliate, Porsche Cars North America, Inc.

©1996 Porsche Cars North America, Inc.
All rights reserved. Cannot be reproduced without written permission.
Service & Parts Publications.



SERVICE

Page 1 of 1
June 25, 1996